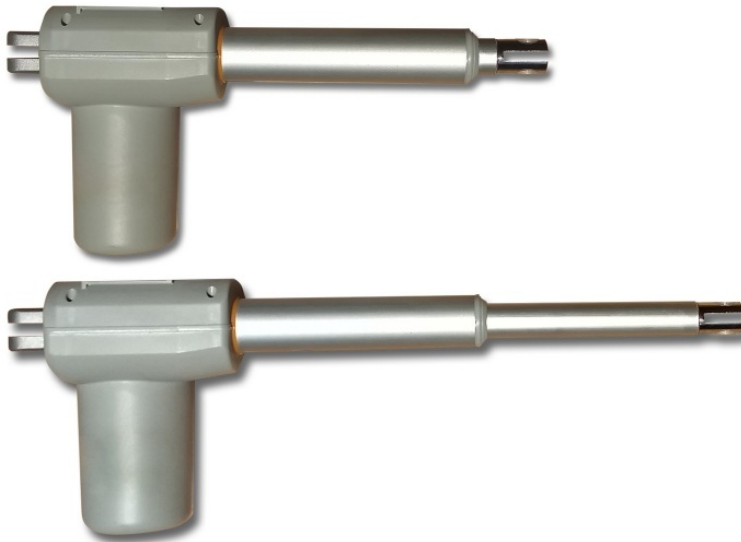


Linear Actuators

Model No : KS011C



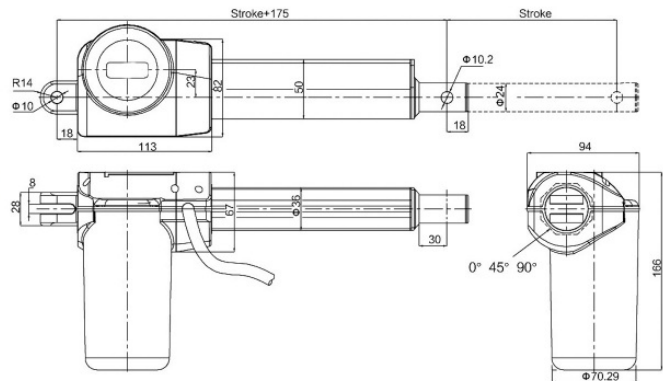
1.45 m
wire length



Input volt : 24 volt
Current Rating : 2.3 A



MONO PLUG



Other Specification :

Free load speed	4mm/s
Load Capacity	6000N (611Kg)
Protection Class	IP65
Mode of Operation	PUSH / PULL
Operating Temperature	-15 °C to 45°C
Duty Cycle	10%,2min.on/18min.off
Safe Operating load	100-150Kg
Stroke Length	100mm,150mm, 200mm

Applications:

- MATERIAL HANDLING,
- FACTORY AUTOMATION,
- PACKAGING & CONVERTING

Features :

- COMPACT DESIGN,
- ALUMINIUM FRAME & EXTENSION TUBE,
- BUILT-IN LIMIT SWITCH,
- LOW NOISE,
- ELECTRICAL OPERATION ONLY