

# Linear Actuators

Model No : KS022



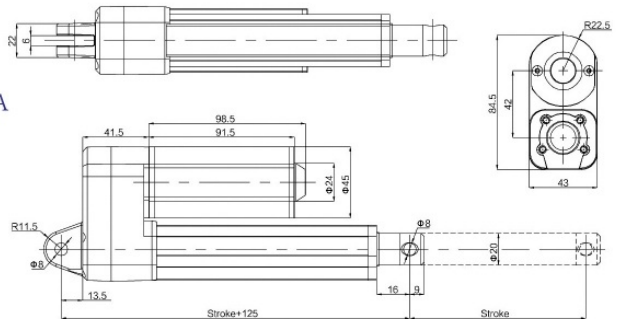
1.5m  
wire length



Input volt : 24 volt  
Current Rating : 2.3 A



4 PIN DIN  
CONNECTOR



## Other Specification :

Free load speed	7mm/s
Load Capacity	2500N (255Kg)
Protection Class	IP65
Mode of Operation	PUSH / PULL
Operating Temperature	-15 °C to 45°C
Duty Cycle	10%,2min.on/18min.off
Safe Operating load	60-65Kg
Stroke Length	100mm

## Applications:

- MATERIAL HANDLING,
- FACTORY AUTOMATION,
- PACKAGING & CONVERTING

## Features :

- COMPACT DESIGN,
- ALUMINIUM FRAME & EXTENSION TUBE,
- BUILT-IN LIMIT SWITCH,
- LOW NOISE,
- ELECTRICAL OPERATION ONLY