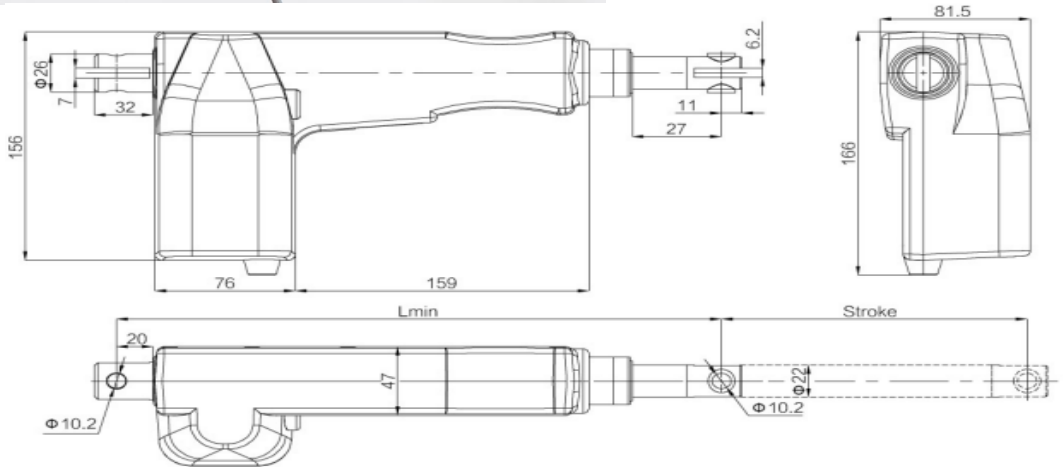


Linear Actuators

Model No : KS_FY012



Other Specifications:

Application:

- Material Handling
- Factory Automation
- Packaging and converting

| | |
|------------------|------------------------|
| Free Load Speed | 4 mm/s |
| Load capacity | 6000N |
| Protection class | IP54 |
| Duty cycle | 2 min on or 18 min off |
| Stroke Length | 150 mm |

Features:

- Compact design
- Aluminium frame and extension tube
- Built in limit switch
- Low Noise
- Electrical operation only

