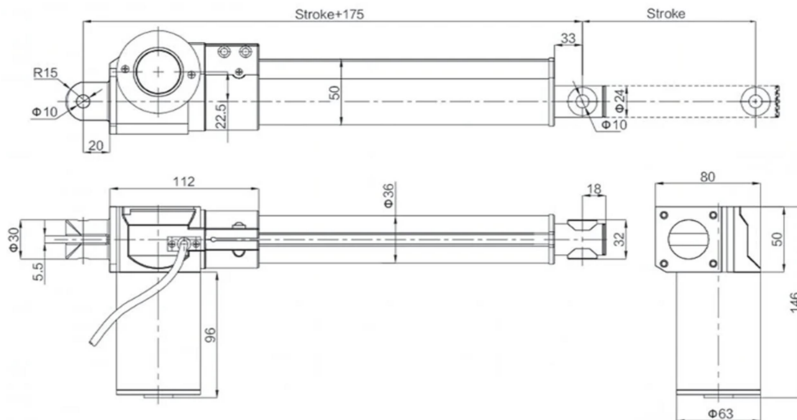


Linear Actuator with Feedback (Hall-Effect Sensor)

Model No: KS_FY01



Specifications

- Input voltage: 24V/12V DC
- Load capacity: 6000N
- Speed: 4-30mm/s
- Stroke: Customize
- Type of duty: 10%, 2min. on / 18min. off
- Limit switches: Inner
- Operation temperature: -15°C ~ 45°C
- Color: Black or gray
- Protection class: IP43
- Hall effect sensor with input of 0-5V and Output of 0 - 5V

Color	Signals
Grey	Motor 1
Blue	Motor 2
Yellow	Signal 11
Green	Signal 12
Black	Ground
Red	+5 V

Applications:

- Material Handling
- Factory Automation
- Packaging & Converting

Features:

- Compact Design
- Aluminium Frame & Extension Tube
- Build-In Limit Switch
- Low Noise