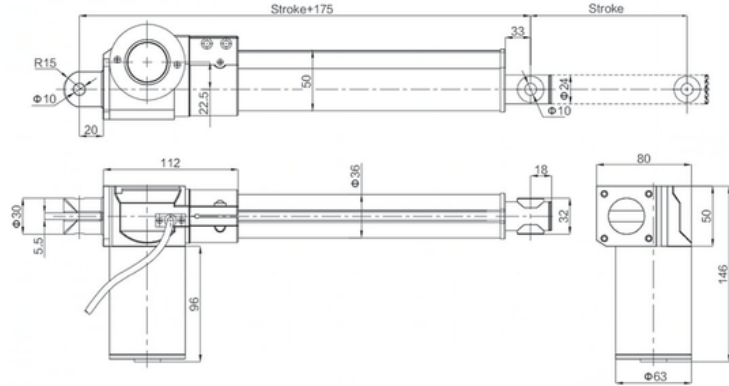
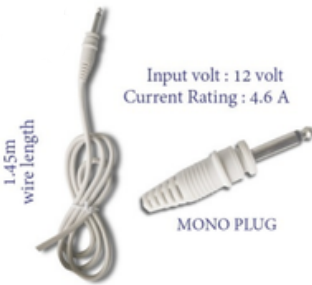


# Linear Actuator

Model No : K S \_ F Y 0 1



Free load speed	4mm/s
Load Capacity	6000N (611Kg)
Protection Class	IP 43
Mode of Operation	PUSH/PULL
Operating Temperature	-15 °C to 45°C
Duty Cycle	10%,2min.on/18min.off
Safe Operating load	100-150Kg
Stroke Length	50mm

## Applications:

- MATERIAL HANDLING,
- FACTORY AUTOMATION,
- PACKAGING & CONVERTING

## Features:

- COMPACT DESIGN,
- ALUMINIUM FRAME & EXTENSION TUBE,
- BUILT-IN LIMIT SWITCH,
- LOW NOISE,
- ELECTRICAL OPERATION ONLY

# INDUSTRIAL

KATHIRSUDHIR